

Overview

Part of the GE SmartCommand™ product family, the SmartCommand Color Touchscreen brings the simplicity and convenience of a color touchscreen together with a powerful and integrated home control system.

With its large 7.8 inch color screen, the SmartCommand touchscreen is easy to read, providing an intuitive, user-friendly graphical interface control for a wide variety of home control system protocols including lighting, security, audio, intercom, thermostats and other devices connected to the SmartCommander hub. With central control of the home, you get comfort, control and convenience in a single system that's cost-effective and user-friendly.

In addition, with available ScreenCrafter™ software, any number of screens can be easily customized and configured to control any of the SmartCommander devices. In addition, buttons and other graphical objects can be created using a simple drag and drop function. Custom graphics are easily imported and associated with any button or screen background.

Standard Features

- 7.8 inch color screen – Displays complete information on large, easy-to-read touchscreen
- 640 x 480 resolution – Excellent screen visibility
- Interfaces with NetworX and Concord 4 security systems; emulates real-time data
- Ethernet port – Network and internet connectivity
- RS-232 port – Communicates with serial devices
- RS-485 port – Interconnection to attached remote devices
- Power over Ethernet (PoE) via power injector
- Automatic, adjustable display timeout – Energy conserving and efficient operation
- Surface or in-wall mounting – Attractive mounting options
- Single Category 5 connection to Ethernet hub
- Network connectivity allows external control of system

SmartCommand™ Color Touchscreen

Graphic user interface for central control of home comfort systems



North America
 T (561) 998-6100
 T 888-GE-SECURITY
 888-(437-3287)
 F 561 998 6224
 E rs-bctinfo@ge.com

Asia
 T 852-2907-8108
 F 852-2142-5063

Australia
 T 61-3-9259-4700
 F 61-3-9259-4799

Europe
 T 32-2-725-11-20
 F 32-2-721-40-47

Latin America
 T 305-593-4301
 F 305-593-4300

www.gesecurity.com

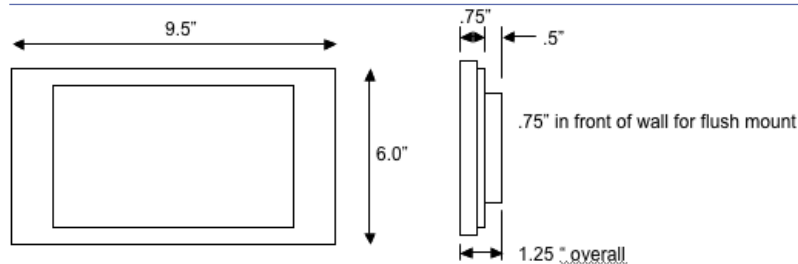
Specifications subject to change without notice.

© 2007 General Electric Company
 All Rights Reserved

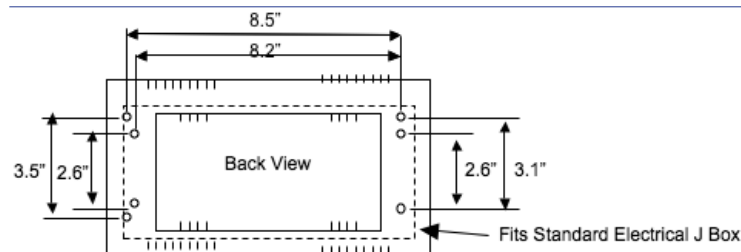
Specifications

Power	12VDC, 750mA — Powered over Ethernet RJ-45 jack. Requires LTSPWR power injector to add power to Ethernet Cat 5 cable.
Weight	2 lbs
Environment	40-120° F (operating)

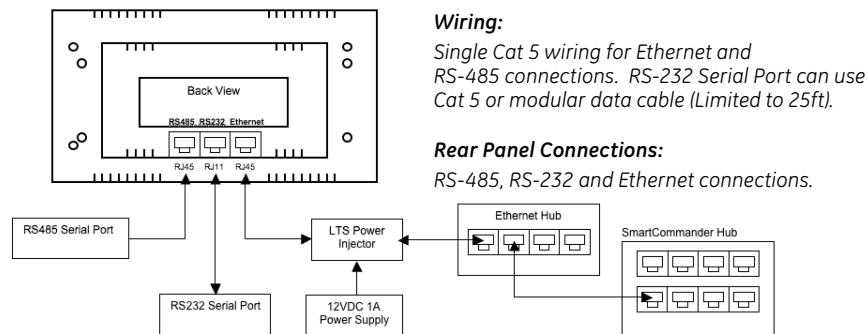
Unit Measurements



Mounting Measurements



Wiring Information



Ordering Information

SmartCommand Products	
CC-SCLCD1	SmartCommand LCD Touchscreen, 5-in-one (12 volts)
CC-SCMDR1	SmartCommander Hub (12 volts)
CC-SCSTAT	SmartCommand Thermostat Display and Control (24 VAC)

Related Accessories	
CC-PS2435	24V Power Supply
CC-PS1300	12V Power Supply
CC-ES5000	Ethernet Switch (12 Volts)
CC-PS2060	12 VDC, 5 Amp, 60 Watt Power Supply

SmartCom Products	
CC-SCRS01-A	SmartCom Intercom & Audio Room Station (almond color)
CC-SCRS01-B	SmartCom Intercom & Audio Room Station (black color)
CC-SCHUB8	SmartCom Intercom Hub, 8 Zones, 2 Doors (12 volts)
CC-SCAMP4	SmartCom Audio Amplifier Hub, 4 Source, 4 Zone (24 Volts)
CC-SCRCA2	SmartCom Audio Plug, Dual Source RCA Input
CC-SCDOR1	SmartCom Outdoor Door Station
CC-SCAMPX	Audio Hub Expansion (4 ch)
CC-SCKIT4	4 SmartCom Room Stations, 1 Door Station, Intercom Hub, 12 volt power supply, audio amplifier, 24 volt power supply, 2 dual audio source input modules (white color)
CC-SCKIT4-A	Includes components above (almond color)
CC-SCKIT4-B	Includes components above (black color)